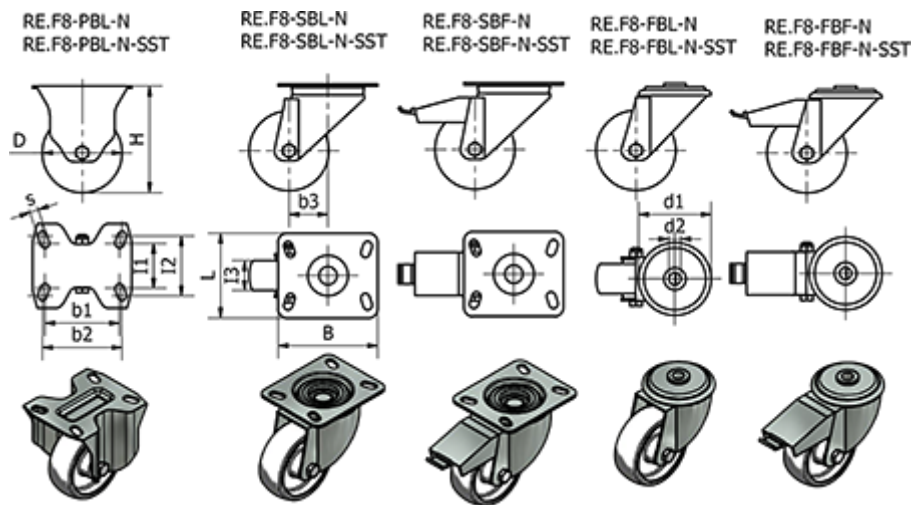


Article number: 2314450571

Description: E+G polyamide wheel

RE.F8-150-SBL-N - Turning plate wo/brake in Zinc-plated steel

Measures



= -	d2	=	Rolling resistance (N) = 2500
B = 140	Dynamic carrying capacity (N) = 3000		s = 11
b1 = 105	H = 194		Type = RE.F8-150-SBL-N
b2 = 105	l1 = 73		Wight (g) = 1770
b3 = 56	l2 = 85		
Code = 450571	l3 = 45		
D = 150	L = 110		
d1 =	R	=	